

SOVEREIGN 6-100

BASS / MID-RANGE DRIVER

6" / 152.4 mm
CHASSIS DIAMETER

200 W
PROGRAM POWER

60 Hz - 7 kHz
FREQUENCY RESPONSE

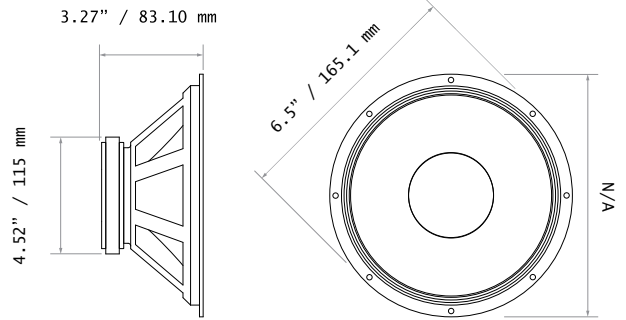
1.5" / 38.1 mm
VOICE COIL DIAMETER

93 dB
SENSITIVITY (1W/1m)

2.5 mm Xmax
MAX. LINEAR EXCURSION



- + Versatile driver for use in pro-sound applications.
- + Best suited as a mid-range driver in a small sealed enclosure designs.
- + Works well as a mid/ bass driver in vented enclosures.
- + Optimised cone pulp offers increased strength, durability and performance.
- + 1.5-Inch Copper voice coil.



GENERAL SPECIFICATIONS

Nominal Chassis Diameter	6" / 152.4 mm
Nominal Impedance ⁽¹⁾	8 Ohm
Minimum Impedance Zmin	7 Ω
AES Power Handling ⁽²⁾	100 W (A.E.S.)
Program Power	200 W
Peak Power (6dB Crest Factor)	400 W
Frequency Range (-6dB)	60 Hz - 7 kHz
Sensitivity (1W/1m)	93 dB
Magnet Material	Ferrite
Magnet Weight	20 oz
Magnetic Gap Depth	0.23" / 6 mm
Flux Density	1 Tesla
Former Material	Glass Fibre
Voice Coil Material	Copper
Coil Winding Height	0.39" / 10 mm
Voice Coil Diameter	1.5" / 38.1 mm
Cone/ Dust Dome Material	Paper / Paper
Surround / Edge Termination	Polyvinyl Damped Dbl. Half Roll Linen

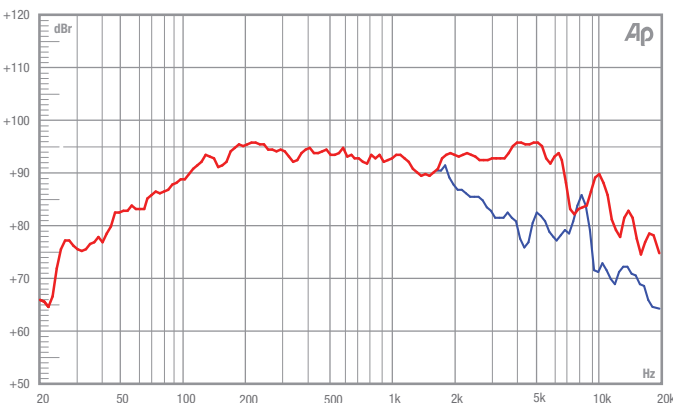
TECHNICAL & THIELE SMALL PARAMETERS

Fs	115 Hz
Re	6.9 Ω
Qms	12.8
Qes	0.67
Qts	0.64
Vas	2.2 Litres
Vd	0.032 Litres
Cms	0.08 mm/N
Bl	13.25 T/m
Mms	23.94 g
Xmax	2.5 mm
Sd	139.2 cm ²
Efficiency	0.5 %
Le (1k Hz)	1.15 mH
EBP	171.64 Hz
Effective Piston Diameter	5.15" / 130.81 mm
Rec. Enclosure Volume	0.35 - 0.70 ft ³ / 10 - 20 Litres

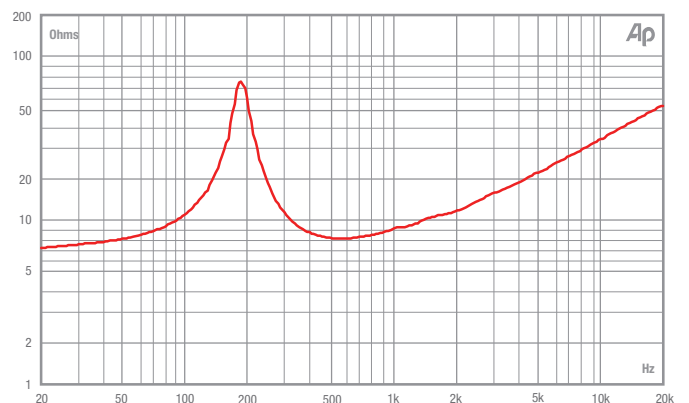
MOUNTING / SHIPPING INFORMATION

Overall Diameter	6.5" / 165.1 mm
Width Across Flats	N/A
Depth	3.27" / 83.10 mm
Flange Height	0.27" / 6.9 mm
Baffle Hole Diameter F/M	5.78" / 146.81 mm
Baffle Hole Diameter R/M	5.78" / 146.81 mm
Chassis Material	Pressed Steel
Gasket Supplied	Front & Rear
Outer Fixing Holes	4x ø 5.9 mm on 6.14" / 155.96 mm PCD
Inner Fixing Holes	N/A
Connectors ⁽⁴⁾	Solder Tag
Weight	3.63 lb / 1.65 kg
Shipping Weight	4.29 lb / 1.95 kg
Packing Carton Dimensions (mm)	(W) 205 (D) 205 (H) 135

FREQUENCY RESPONSE DATA⁽³⁾



IMPEDANCE



(1) Please enquire about alternative impedances.

(2) A.E.S. power handling test. Pink noise bandpass filtered at 12 dB per octave. Driver mounted in free air, test signal applied at rated power for 2 hours.

(3) Half space response measured in a 975 Litre sealed box. Blue line = fundamental 45° off-axis. Please note that the frequency response measurements are supplied for comparison only and are not a measure of the low frequency performance which may be achieved in a fully optimised system.

(4) Positive voltage at red terminal causes forward motion of cone.