

SOVEREIGN PRO 15-600LF

BASS DRIVER



15" / 381 mm
CHASSIS DIAMETER

1200 W
PROGRAM POWER

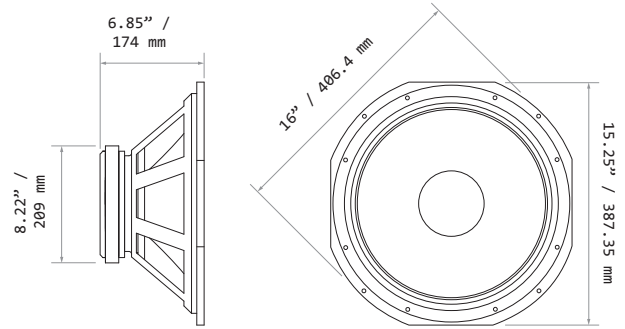
35 Hz - 3.5 kHz
FREQUENCY RESPONSE

3" / 76.2 mm
VOICE COIL

98 dB
SENSITIVITY (1W/ 1m)

7 mm Xmax
MAX. LINEAR EXCURSION

- + Highly versatile in two-way ported enclosures.
- + Smooth frequency response and balanced tonal character.
- + Long throw motor system and surround for solid bass reproduction at high power levels.
- + Delivers tight accurate bass down to 35 Hz in 75-150 Litre enclosures.
- + UK manufactured cone with optimised pulp offering increased strength, durability and performance.
- + 3-Inch Copper voice coil.



GENERAL SPECIFICATIONS

Nominal Chassis Diameter	15" / 381 mm
Nominal Impedance ⁽¹⁾	8 Ohm
Minimum Impedance Zmin	6.5 Ω
AES Power Handling ⁽²⁾	600 W (A.E.S.)
Program Power	1200 W
Peak Power (6dB Crest Factor)	2400 W
Frequency Range ⁽³⁾	35 Hz - 3.5 kHz
Sensitivity (1W/ 1m)	98 dB
Magnet Material	Ferrite
Magnet Weight	100 oz
Magnetic Gap Depth	0.39" / 10 mm
Flux Density	1.1 Tesla
Former Material	Glass Fibre
Voice Coil Material	Copper
Coil Winding Height	0.75" / 19 mm
Voice Coil Diameter	3" / 76.2 mm
Cone/ Dust Dome Material	Curvilinear Paper / Paper
Surround / Edge Termination	Polyvinyl Damped Multi Roll. Poly Cotton

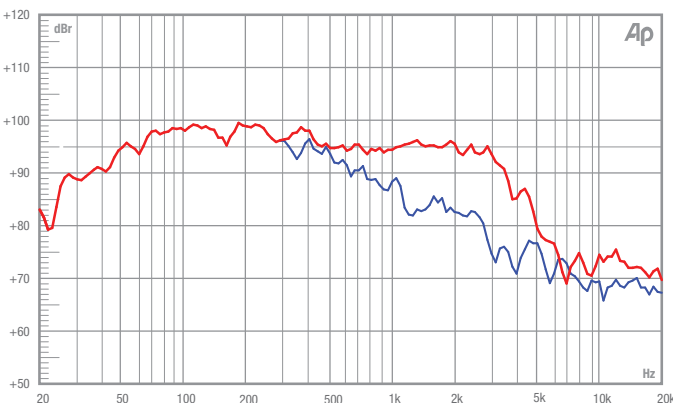
TECHNICAL & THIELE SMALL PARAMETERS

Fs	40 Hz
Re	6.5 Ω
Qms	8.8
Qes	0.38
Qts	0.37
Vas	188 Litres
Vd	0.59 Litres
Cms	0.18 mm/N
Bl	19.7 T/m
Mms	89 g
Xmax	7 mm
Sd	856 cm ²
Efficiency	3.05 %
Le (1k Hz)	1.85 mH
EBP	105.26 Hz
Effective Piston Diameter	13.03" / 330.96 mm
Rec. Enclosure Volume	2.64 - 5.29 ft ³ / 75 - 150 Litres

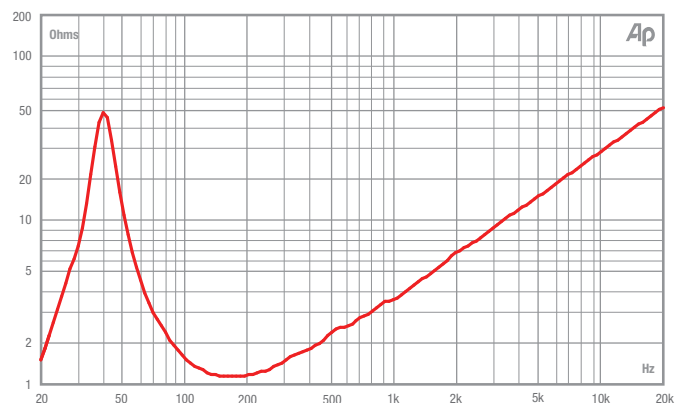
MOUNTING / SHIPPING INFORMATION

Overall Diameter	16" / 406.4 mm
Width Across Flats	15.25" / 387.35 mm
Depth	6.85" / 174 mm
Flange Height	0.30" / 7.62 mm
Baffle Hole Diameter F/M	13.85" / 351.79 mm
Baffle Hole Diameter R/M	14" / 355.6 mm
Chassis Material	Die-cast Aluminium
Gasket Supplied	Front & Rear
Outer Fixing Holes	4x ø 0.281" on 15.5" PCD / 4x ø 7.1 mm on 393.7 mm PCD
Inner Fixing Holes	8x ø 0.281" on 14.56" PCD / 8x ø 7.1 mm on 370 mm PCD
Connectors ⁽⁴⁾	Push-button Spring Terminals
Weight	20.49 lb / 9.3 Kg
Shipping Weight	23.03 lb / 10.45 Kg
Packing Carton Dimensions (mm)	(W) 410 (D) 410 (H) 225

FREQUENCY RESPONSE DATA⁽³⁾



IMPEDANCE



(1) Please enquire about alternative impedances.

(2) A.E.S. power handling test. Pink noise bandpass filtered at 12 dB per octave with cutoff frequencies of 40 Hz and 400 Hz. Driver mounted in free air, test signal applied at rated power for two hours.

(3) Half space response measured in a 975 Litre sealed box. Blue line = fundamental 45° off-axis. Please note that the frequency response measurements are supplied for comparison only and are not a measure of the low frequency performance which may be achieved in a fully optimised system.

(4) Positive voltage at red terminal causes forward motion of cone.