



SOVEREIGN PRO 15-600

SUB BASS DRIVER

15" / 381 mm

CHASSIS DIAMETER

1200 W

PROGRAM POWER

38 Hz - 3.5 kHz

FREQUENCY RESPONSE

3" / 76.2 mm

VOICE COIL

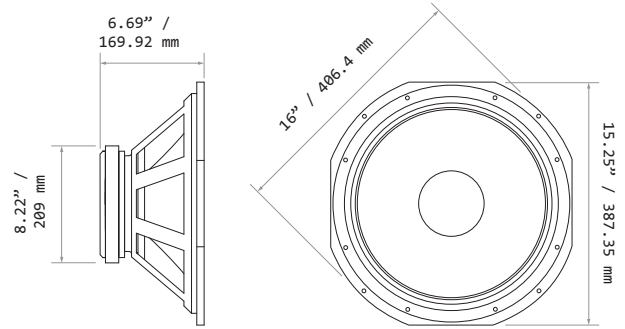
98 dB

SENSITIVITY (1W/ 1m)

17.5 T/m

BL FORCE FACTOR

- + Highly versatile solution for two and three-way systems where high BL and maximum punch are required.
- + Excellent linear response with well controlled bass reproduction and smooth mid-range performance.
- + Especially suited to horn loaded, band pass and compact bass reflex applications.
- + UK manufactured cone with optimised pulp offering increased strength, durability and performance.
- + 3-Inch Copper voice coil.



GENERAL SPECIFICATIONS

Nominal Chassis Diameter	15" / 381 mm
Nominal Impedance ⁽¹⁾	8 Ohm
Minimum Impedance Zmin	6.5 Ω
AES Power Handling ⁽²⁾	600 W (A.E.S.)
Program Power	1200 W
Peak Power (6dB Crest Factor)	2400 W
Frequency Range ^(6dB)	38 Hz - 3.5 kHz
Sensitivity (1W/ 1m)	98 dB
Magnet Material	Ferrite
Magnet Weight	85 oz
Magnetic Gap Depth	0.39" / 10 mm
Flux Density	1 Tesla
Former Material	Glass Fibre
Voice Coil Material	Copper
Coil Winding Height	0.70" / 18 mm
Voice Coil Diameter	3" / 76.2 mm
Cone/ Dust Dome Material	Curvilinear Poly-cellulose / Solid Paper
Surround / Edge Termination	Polyvinyl Damped Dbl. Half Roll Poly Cotton

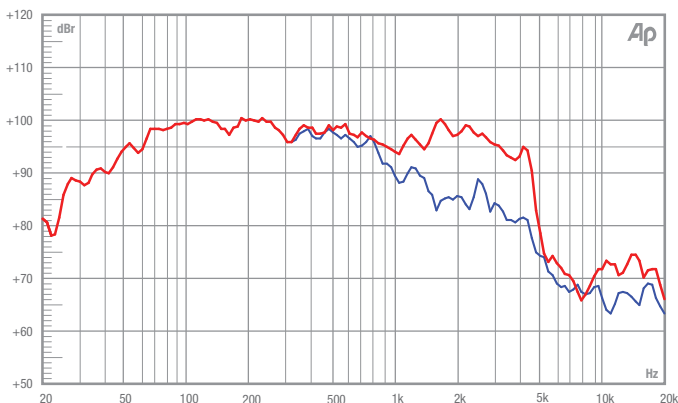
TECHNICAL & THIELE SMALL PARAMETERS

Fs	38 Hz
Re	5.4 Ω
Qms	3.52
Qes	0.39
Qts	0.351
Vas	201 Litres
Vd	0.513 Litres
Cms	0.196 mm/N
Bl	17.5 T/m
Mms	89.5 g
Xmax	6 mm
Sd	850 cm ²
Efficiency	2.76 %
Le (1k Hz)	1.95 mH
EBP	97.44 Hz
Effective Piston Diameter	13.03" / 330.96 mm
Rec. Enclosure Volume	2.64 - 5.29 ft ³ / 75 - 150 Litres

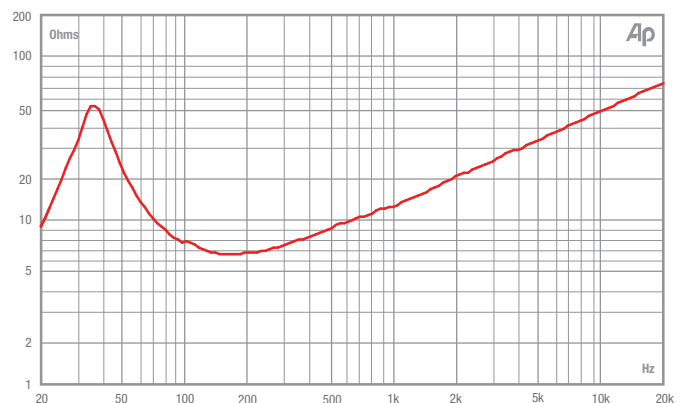
MOUNTING / SHIPPING INFORMATION

Overall Diameter	16" / 406.4 mm
Width Across Flats	15.25" / 387.35 mm
Depth	6.69" / 169.92 mm
Flange Height	0.30" / 7.62 mm
Baffle Hole Diameter F/M	13.85" / 351.79 mm
Baffle Hole Diameter R/M	14" / 355.6 mm
Chassis Material	Die-cast Aluminium
Gasket Supplied	Front & Rear
Outer Fixing Holes	4x ø 0.281" on 15.5" PCD / 4x ø 7.1 mm on 393.7 mm PCD
Inner Fixing Holes	8x ø 0.281" on 14.56" PCD / 8x ø 7.1 mm on 370 mm PCD
Connectors ⁽⁴⁾	Push-button Spring Terminals
Weight	17.52 lb / 7.95 Kg
Shipping Weight	20.05 lb / 9.1 Kg
Packing Carton Dimensions (mm)	(W) 410 (D) 410 (H) 210

FREQUENCY RESPONSE DATA⁽³⁾



IMPEDANCE



(1) Please enquire about alternative impedances.

(2) A.E.S. power handling test. Pink noise bandpass filtered at 12 dB per octave with cutoff frequencies of 40 Hz and 400 Hz. Driver mounted in free air, test signal applied at rated power for two hours.

(3) Half space response measured in a 975 Litre sealed box. Blue line = fundamental 45° off-axis. Please note that the frequency response measurements are supplied for comparison only and are not a measure of the low frequency performance which may be achieved in a fully optimised system.

(4) Positive voltage at red terminal causes forward motion of cone.