

# SOVEREIGN PRO 12-500

BASS DRIVER



**12" / 304.8 mm**  
CHASSIS DIAMETER

**1000 W**  
PROGRAM POWER

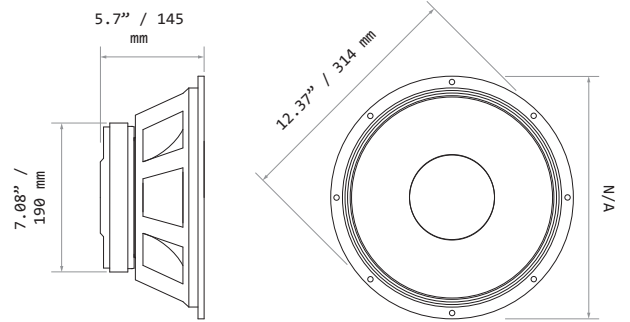
**45 Hz - 4.5 kHz**  
FREQUENCY RESPONSE

**3" / 76.2 mm**  
VOICE COIL

**97.5 dB**  
SENSITIVITY (1W/ 1m)

**6 mm Xmax**  
MAX. LINEAR EXCURSION

- + Deep bass and well balanced tonal character with extended frequency output.
- + High linearity suspension and long-throw motor system.
- + UK manufactured cone with optimised pulp offering increased strength, durability and performance.
- + 3-Inch Inside/ outside windings CCAW voice coil.



## GENERAL SPECIFICATIONS

Nominal Chassis Diameter	12" / 304.8 mm
Nominal Impedance <sup>(1)</sup>	8 Ohm
Minimum Impedance Zmin	6.84 Ω
AES Power Handling <sup>(2)</sup>	500 W (A.E.S.)
Program Power	1000 W
<b>Peak Power</b> <sup>(6dB Crest Factor)</sup>	<b>2000 W</b>
Frequency Range <sup>(-6dB)</sup>	45 Hz - 4.5 kHz
<b>Sensitivity</b> <sup>(1W/ 1m)</sup>	<b>97.5 dB</b>
<b>Magnet Material</b>	<b>Ferrite</b>
Magnet Weight	80 oz
Magnetic Gap Depth	0.39" / 10 mm
Flux Density	1.1 Tesla
Former Material	Glass Fibre
Voice Coil Material	CCA W - Inside/ Outside
Coil Winding Height	0.70" / 18 mm
<b>Voice Coil Diameter</b>	<b>3" / 76.2 mm</b>
Cone/ Dust Dome Material	Curvilinear Paper / Solid Paper
Surround / Edge Termination	Polyvinyl Damped Multi Roll. Poly Cotton

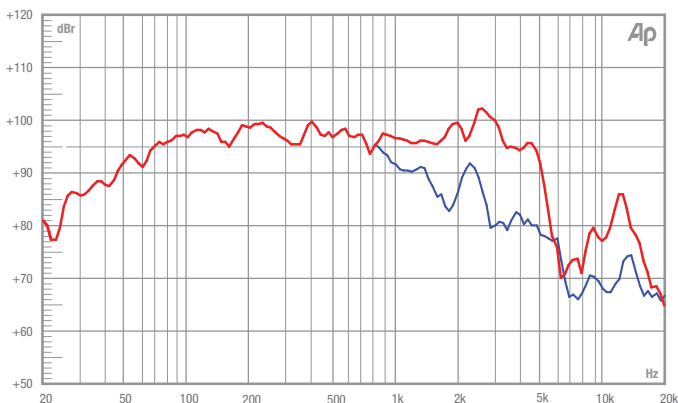
## TECHNICAL & THIELE SMALL PARAMETERS

Fs	43 Hz
Re	5.6 Ω
Qms	3.04
Qes	0.35
Qts	0.314
Vas	107 Litres
Vd	0.339 Litres
Cms	0.236 mm/N
Bl	16 T/m
Mms	58 g
Xmax	6 mm
Sd	565 cm <sup>2</sup>
Efficiency	2.34 %
Le (1k Hz)	1.6 mH
EBP	122.86 Hz
Effective Piston Diameter	10.31" / 261.87 mm
Rec. Enclosure Volume	1.23 - 2.64 ft <sup>3</sup> / 35 - 75 Litres

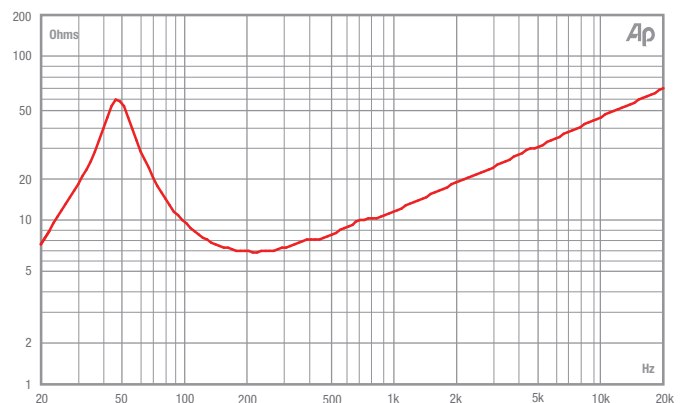
## MOUNTING / SHIPPING INFORMATION

Overall Diameter	12.37" / 314 mm
Width Across Flats	N/A
Depth	5.7" / 145 mm
Flange Height	0.339" / 8.61 mm
Baffle Hole Diameter F/M	11.13" / 282.70 mm
Baffle Hole Diameter R/M	N/A
<b>Chassis Material</b>	<b>Die-cast Aluminium</b>
Gasket Supplied	Front & Rear
Outer Fixing Holes	8x ø 7.0 mm on 11.5" / 294 mm PCD
Inner Fixing Holes	N/A
Connectors <sup>(4)</sup>	Push-button Spring Terminals
<b>Weight</b>	<b>16.5 lb / 7.5 Kg</b>
Shipping Weight	17.63 lb / 8.0 Kg
Packing Carton Dimensions (mm)	(W) 330 (D) 330 (H) 178

## FREQUENCY RESPONSE DATA <sup>(3)</sup>



## IMPEDANCE



(1) Please enquire about alternative impedances.

(2) A.E.S. power handling test. Pink noise bandpass filtered at 12 dB per octave with cutoff frequencies of 45 Hz and 450 Hz. Driver mounted in free air, test signal applied at rated power for two hours.

(3) Half space response measured in a 975 Litre sealed box. Blue line = fundamental 45° off-axis. Please note that the frequency response measurements are supplied for comparison only and are not a measure of the low frequency performance which may be achieved in a fully optimised system.

(4) Positive voltage at red terminal causes forward motion of cone.