

# SOVEREIGN PRO 10-300SC

BASS DRIVER



**10" / 254 mm**

CHASSIS DIAMETER

**600 W**

PROGRAM POWER

**45 Hz - 4 kHz**

FREQUENCY RESPONSE

**2.5" / 63.5 mm**

VOICE COIL

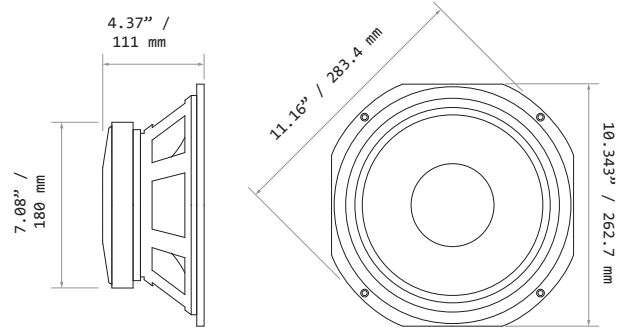
**98 dB**

SENSITIVITY (1W/1m)

**4.75 mm Xmax**

MAX. LINEAR EXCURSION

- + Highly versatile in two-way ported enclosures.
- + Warm and smooth response throughout the bass frequency range.
- + Specially formulated cone coating provides HF vocal clarity.
- + Optimised cone pulp offering increased strength, durability and performance.
- + Long throw motor and high-linearity suspension system allow solid bass reproduction.
- + Perfect for full range KTV systems.
- + 2.5-Inch Copper clad aluminium voice coil.



## GENERAL SPECIFICATIONS

Nominal Chassis Diameter	10" / 254 mm
Nominal Impedance <sup>(1)</sup>	8 Ohm
Minimum Impedance Zmin	6.24 Ω
AES Power Handling <sup>(2)</sup>	300 W (A.E.S.)
Program Power	600 W
<b>Peak Power</b> <sup>(6dB Crest Factor)</sup>	<b>1200 W</b>
Frequency Range <sup>(-6dB)</sup>	45 Hz - 4 kHz
<b>Sensitivity</b> <sup>(1W/1m)</sup>	<b>98 dB</b>
<b>Magnet Material</b>	<b>Ferrite</b>
Magnet Weight	56 oz
Magnetic Gap Depth	0.31" / 7.87 mm
Flux Density	1.1 Tesla
Former Material	Kapton
Voice Coil Material	CCAW
Coil Winding Height	0.53" / 13.46 mm
<b>Voice Coil Diameter</b>	<b>2.5" / 63.5 mm</b>
Cone/ Dust Dome Material	Curvilinear Paper / Solid Paper
Surround / Edge Termination	Polyvinyl Damped Dbl. Half Roll Linen

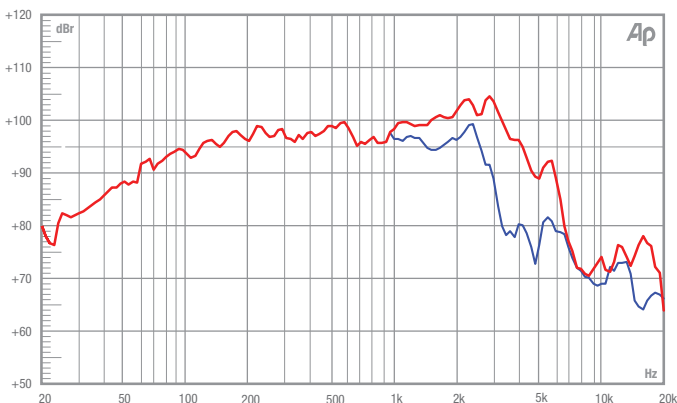
## TECHNICAL & THIELE SMALL PARAMETERS

Fs	47 Hz
Re	5.5 Ω
Qms	10.13
Qes	0.34
Qts	0.33
Vas	45.43 Litres
Vd	0.172 Litres
Cms	0.245 mm/N
Bl	14.8 T/m
Mms	46.8 g
Xmax	4.75 mm
Sd	361 cm <sup>2</sup>
Efficiency	1.7 %
Le (1k Hz)	1.27 mH
EBP	138.24 Hz
Effective Piston Diameter	8.19" / 208.02 mm
Rec. Enclosure Volume	0.88 - 1.76 ft <sup>3</sup> / 25 - 50 Litres

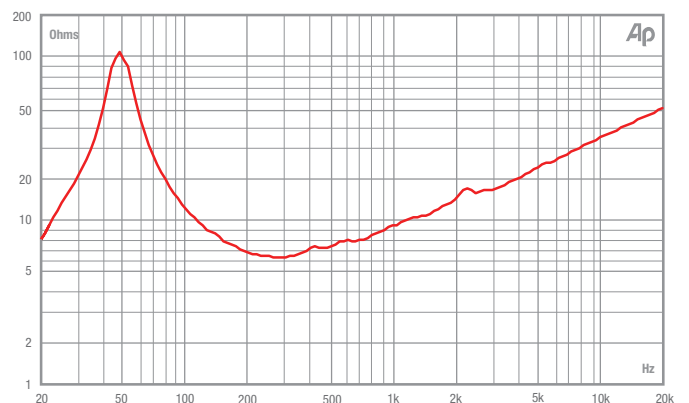
## MOUNTING / SHIPPING INFORMATION

Overall Diameter	11.16" / 283.4 mm
Width Across Flats	10.343" / 262.7 mm
Depth	4.37" / 111 mm
Flange Height	0.305" / 7.8 mm
Baffle Hole Diameter F/M	8.97" / 227.83 mm
Baffle Hole Diameter R/M	N/A
<b>Chassis Material</b>	<b>Die-cast Aluminium</b>
Gasket Supplied	Rear
Outer Fixing Holes	4x ø 0.218" on 10.625" PCD / 4x ø 5.5 mm on 270 mm PCD
Inner Fixing Holes	N/A
Connectors <sup>(4)</sup>	Push-button Spring Terminals
<b>Weight</b>	<b>10.14 lb / 4.6 Kg</b>
Shipping Weight	11.35 lb / 5.15 Kg
Packing Carton Dimensions (mm)	(W) 275 (D) 275 (H) 150

## FREQUENCY RESPONSE DATA <sup>(3)</sup>



## IMPEDANCE



(1) Please enquire about alternative impedances.

(2) A.E.S. power handling test. Pink noise bandpass filtered at 12 dB per octave with cutoff frequencies of 50 Hz and 500 Hz. Driver mounted in free air, test signal applied at rated power for two hours.

(3) Half space response measured in a 975 Litre sealed box. Blue line = fundamental 45° off-axis. Please note that the frequency response measurements are supplied for comparison only and are not a measure of the low frequency performance which may be achieved in a fully optimised system.

(4) Positive voltage at red terminal causes forward motion of cone.