

# SOVEREIGN PRO 10-300

BASS DRIVER

**10" / 254 mm**

CHASSIS DIAMETER

**600 W**

PROGRAM POWER

**45 Hz - 4 kHz**

FREQUENCY RESPONSE

**2.5" / 63.5 mm**

VOICE COIL

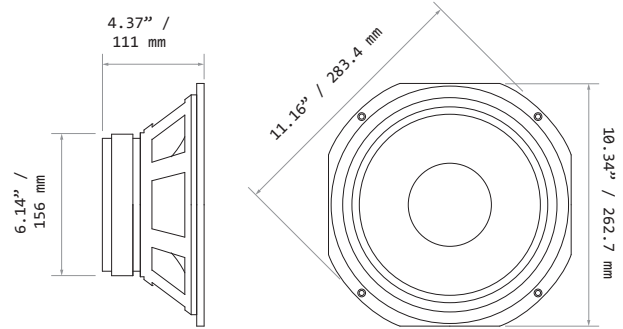
**98 dB**

SENSITIVITY (1W/1m)

**5.5 mm Xmax**

MAX. LINEAR EXCURSION

- + Smooth and balanced frequency response.
- + High linearity suspension system.
- + Long throw motor structure 5.5 mm Xmax.
- + Intended for use in two-way ported enclosures such as the classic bass driver plus horn tweeter or compression driver.
- + 2.5-Inch Inside/ outside windings copper voice coil.



## GENERAL SPECIFICATIONS

Nominal Chassis Diameter	10" / 254 mm
Nominal Impedance <sup>(1)</sup>	8 Ohm
Minimum Impedance Zmin	6.8 Ω
AES Power Handling <sup>(2)</sup>	300 W (A.E.S.)
Program Power	600 W
<b>Peak Power</b> <sup>(6dB Crest Factor)</sup>	<b>1200 W</b>
Frequency Range <sup>(-6dB)</sup>	45 Hz - 4 kHz
<b>Sensitivity</b> <sup>(1W/1m)</sup>	<b>98 dB</b>
<b>Magnet Material</b>	<b>Ferrite</b>
Magnet Weight	56 oz
Magnetic Gap Depth	0.39" / 10 mm
Flux Density	1.1 Tesla
Former Material	Glass Fibre
Voice Coil Material	Copper - Inside/ Outside
Coil Winding Height	0.70" / 18 mm
<b>Voice Coil Diameter</b>	<b>2.5" / 63.5 mm</b>
Cone/ Dust Dome Material	Curvilinear Paper / Solid Paper
Surround / Edge Termination	Polyvinyl Damped Dbl. Half Roll Linen

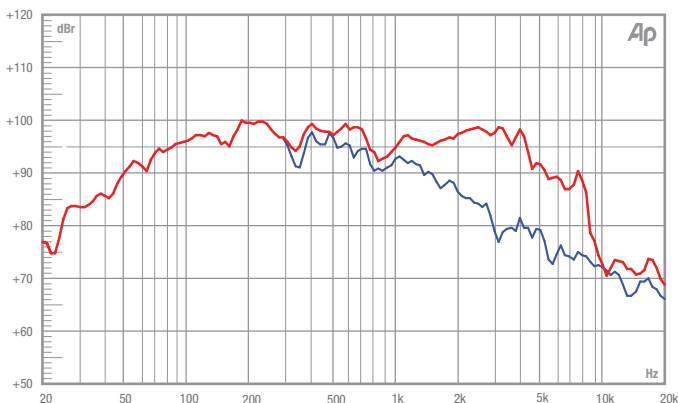
## TECHNICAL & THIELE SMALL PARAMETERS

Fs	58 Hz
Re	5.7 Ω
Qms	6.08
Qes	0.34
Qts	0.32
Vas	41 Litres
Vd	0.208 Litres
Cms	0.211 mm/N
Bl	15.3 T/m
Mms	37 g
Xmax	5.5 mm
Sd	378 cm <sup>2</sup>
Efficiency	2.36 %
Le (1k Hz)	1.68 mH
EBP	170.59 Hz
Effective Piston Diameter	8.46" / 214.88 mm
Rec. Enclosure Volume	0.49 - 1.41 ft <sup>3</sup> / 14 - 40 Litres

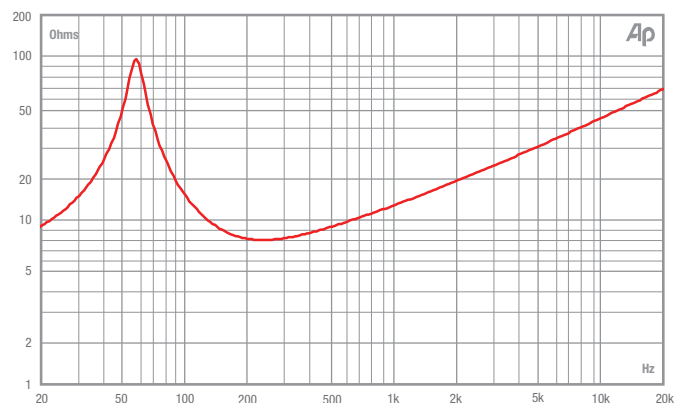
## MOUNTING / SHIPPING INFORMATION

Overall Diameter	11.16" / 283.4 mm
Width Across Flats	10.34" / 262.7 mm
Depth	4.37" / 111 mm
Flange Height	0.305" / 7.8 mm
Baffle Hole Diameter F/M	8.97" / 227.83 mm
Baffle Hole Diameter R/M	N/A
<b>Chassis Material</b>	<b>Die-cast Aluminium</b>
Gasket Supplied	Rear
Outer Fixing Holes	4x ø 0.218" on 10.625" PCD / 4x ø 5.5 mm on 270 mm PCD
Inner Fixing Holes	N/A
Connectors <sup>(4)</sup>	Push-button Spring Terminals
<b>Weight</b>	<b>11.02 lb / 5 Kg</b>
Shipping Weight	12.56 lb / 5.7 Kg
Packing Carton Dimensions (mm)	(W) 275 (D) 275 (H) 150

## FREQUENCY RESPONSE DATA <sup>(3)</sup>



## IMPEDANCE



(1) Please enquire about alternative impedances.

(2) A.E.S. power handling test. Pink noise bandpass filtered at 12 dB per octave with cutoff frequencies of 50 Hz and 500 Hz. Driver mounted in free air, test signal applied at rated power for two hours.

(3) Half space response measured in a 975 Litre sealed box. Blue line = fundamental 45° off-axis. Please note that the frequency response measurements are supplied for comparison only and are not a measure of the low frequency performance which may be achieved in a fully optimised system.

(4) Positive voltage at red terminal causes forward motion of cone.