

SOVEREIGN 15-600LF

BASS DRIVER



15" / 381 mm
CHASSIS DIAMETER

1200 W
PROGRAM POWER

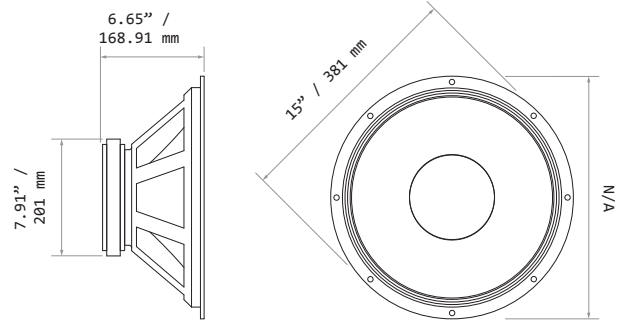
38 Hz - 3.5 kHz
FREQUENCY RESPONSE

3" / 76.2 mm
VOICE COIL

98.5 dB
SENSITIVITY (1W/ 1m)

6.5 mm Xmax
MAXIMUM LINEAR EXCURSION

- + For use in pro-sound applications.
- + Outstanding 98.5dB SPL output.
- + Ideally suited for medium to large vented enclosures.
- + Great for ported bass enclosure designs.
- + Optimised cone pulp offering increased strength, durability and performance.
- + 3-Inch Copper voice coil.



GENERAL SPECIFICATIONS

Nominal Chassis Diameter	15" / 381 mm
Nominal Impedance ⁽¹⁾	8 Ohm
Minimum Impedance Zmin	7 Ω
AES Power Handling ⁽²⁾	600 W (A.E.S.)
Program Power	1200 W
Peak Power (6dB Crest Factor)	2400 W
Frequency Range ⁽³⁾	38 Hz - 3.5 kHz
Sensitivity (1W/ 1m)	98.5 dB
Magnet Material	Ferrite
Magnet Weight	95 oz
Magnetic Gap Depth	0.39" / 10 mm
Flux Density	0.97 Tesla
Former Material	Glass Fibre
Voice Coil Material	Copper
Coil Winding Height	0.74" / 19 mm
Voice Coil Diameter	3" / 76.2 mm
Cone/ Dust Dome Material	Curvilinear Paper / Paper
Surround / Edge Termination	Polyvinyl Damped Dbl. Half Roll Poly Cotton

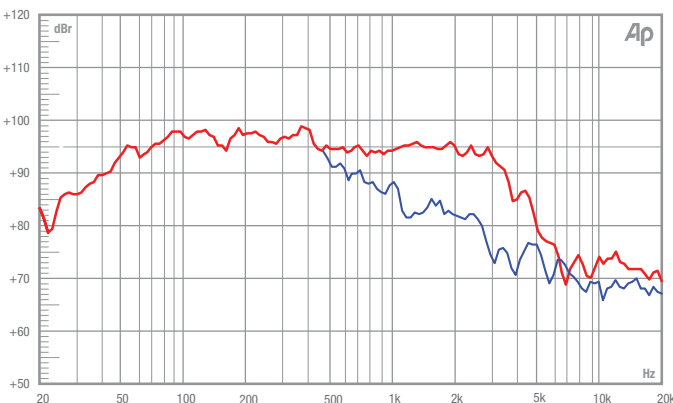
TECHNICAL & THIELE SMALL PARAMETERS

Fs	37 Hz
Re	5.4 Ω
Qms	6.28
Qes	0.414
Qts	0.389
Vas	236 Litres
Vd	0.556 Litres
Cms	0.228 mm/N
Bl	15.9 T/m
Mms	81 g
Xmax	6.5 mm
Sd	855 cm ²
Efficiency	2.83 %
Le (1k Hz)	1.52 mH
EBP	89.37 Hz
Effective Piston Diameter	15.03" / 381.76 mm
Rec. Enclosure Volume	1.76 - 4.41 ft ³ / 50 - 125 Litres

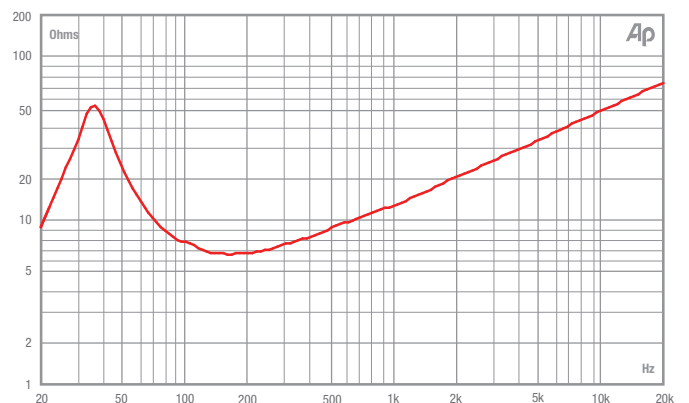
MOUNTING / SHIPPING INFORMATION

Overall Diameter	15" / 381 mm
Width Across Flats	N/A
Depth	6.65" / 168.91 mm
Flange Height	0.35" / 8.89 mm
Baffle Hole Diameter F/M	13.85" / 351.79 mm
Baffle Hole Diameter R/M	13.85" / 351.79 mm
Chassis Material	Pressed Steel
Gasket Supplied	Front & Rear
Outer Fixing Holes	8x ø 6.35 mm on 14.56" / 369.2 mm PCD
Inner Fixing Holes	N/A
Connectors ⁽⁴⁾	Solder Tag
Weight	17.96 lb / 8.15 Kg
Shipping Weight	20.17 lb / 9.4 Kg
Packing Carton Dimensions (mm)	(W) 410 (D) 410 (H) 210

FREQUENCY RESPONSE DATA⁽³⁾



IMPEDANCE



(1) Please enquire about alternative impedances.

(2) A.E.S. power handling test. Pink noise bandpass filtered at 12 dB per octave with cutoff frequencies of 40 Hz and 400 Hz. Driver mounted in free air, test signal applied at rated power for two hours.

(3) Half space response measured in a 975 Litre sealed box. Blue line = fundamental 45° off-axis. Please note that the frequency response measurements are supplied for comparison only and are not a measure of the low frequency performance which may be achieved in a fully optimised system.

(4) Positive voltage at red terminal causes forward motion of cone.