



SOVEREIGN 15-400LF

BASS DRIVER

15" / 381 mm
CHASSIS DIAMETER

800 W
PROGRAM POWER

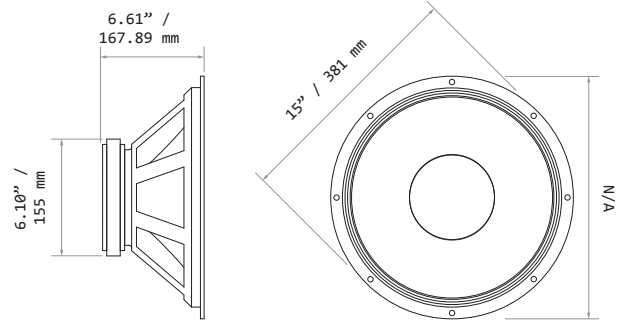
40 Hz - 4 kHz
FREQUENCY RESPONSE

2.5" / 63.5 mm
VOICE COIL

97 dB
SENSITIVITY (1W/ 1m)

4.6 mm Xmax
MAXIMUM LINEAR EXCURSION

- + Designed for use in two-way pro-sound applications.
- + Also works well in monitor or bass guitar applications.
- + Ideally suited for small, sealed floor wedges or medium sized vented enclosures.
- + Optimised cone pulp offering increased strength, durability and performance.
- + 2.5-Inch Copper voice coil.



GENERAL SPECIFICATIONS

Nominal Chassis Diameter	15" / 381 mm
Nominal Impedance ⁽¹⁾	8 Ohm
Minimum Impedance Zmin	7.2 Ω
AES Power Handling ⁽²⁾	400 W (A.E.S.)
Program Power	800 W
Peak Power (6dB Crest Factor)	1600 W
Frequency Range ^(6dB)	40 Hz - 4 kHz
Sensitivity (1W/ 1m)	97 dB
Magnet Material	Ferrite
Magnet Weight	56 oz
Magnetic Gap Depth	0.39" / 10 mm
Flux Density	0.97 Tesla
Former Material	Glass Fibre
Voice Coil Material	Copper
Coil Winding Height	0.74" / 19 mm
Voice Coil Diameter	2.5" / 63.5 mm
Cone/ Dust Dome Material	Curvilinear Paper / Paper
Surround / Edge Termination	Polyvinyl Damped Dbl. Half Roll Linen

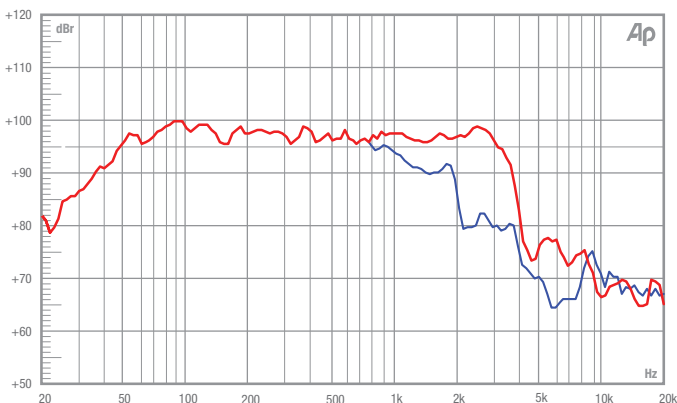
TECHNICAL & THIELE SMALL PARAMETERS

Fs	41 Hz
Re	5.8 Ω
Qms	7.6
Qes	0.62
Qts	0.57
Vas	210 Litres
Vd	0.516 Litres
Cms	0.202 mm/N
Bl	13.52 T/m
Mms	74.6 g
Xmax	4.6 mm
Sd	855.3 cm ²
Efficiency	1.98 %
Le (1k Hz)	2.08 mH
EBP	66.13 Hz
Effective Piston Diameter	15.03" / 381.76 mm
Rec. Enclosure Volume	2.11 - 4.41 ft ³ / 60 - 125 Litres

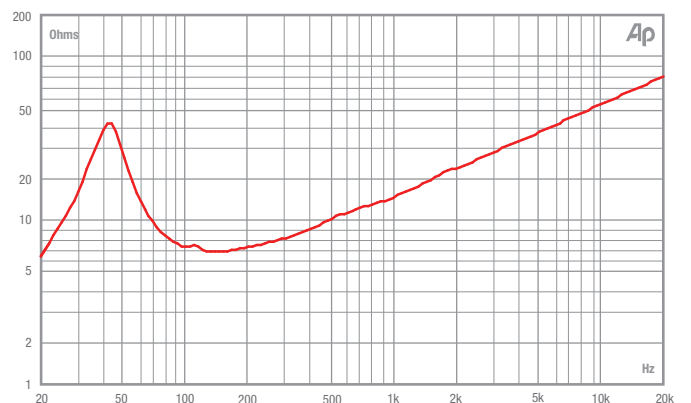
MOUNTING / SHIPPING INFORMATION

Overall Diameter	15" / 381 mm
Width Across Flats	N/A
Depth	6.61" / 167.89 mm
Flange Height	0.35" / 8.89 mm
Baffle Hole Diameter F/M	13.85" / 351.79 mm
Baffle Hole Diameter R/M	13.85" / 351.79 mm
Chassis Material	Pressed Steel
Gasket Supplied	Front & Rear
Outer Fixing Holes	8x ø 6.35 mm on 14.56" / 369.2 mm PCD
Inner Fixing Holes	N/A
Connectors ⁽⁴⁾	Solder Tag
Weight	12.34 lb / 5.6 Kg
Shipping Weight	14.55 lb / 6.6 Kg
Packing Carton Dimensions (mm)	(W) 410 (D) 410 (H) 210

FREQUENCY RESPONSE DATA⁽³⁾



IMPEDANCE



(1) Please enquire about alternative impedances.

(2) A.E.S. power handling test. Pink noise bandpass filtered at 12 dB per octave with cutoff frequencies of 45 Hz and 450 Hz. Driver mounted in free air, test signal applied at rated power for two hours.

(3) Half space response measured in a 975 Litre sealed box. Blue line = fundamental 45° off-axis. Please note that the frequency response measurements are supplied for comparison only and are not a measure of the low frequency performance which may be achieved in a fully optimised system.

(4) Positive voltage at red terminal causes forward motion of cone.