

SOVEREIGN 10-300

BASS / MID-RANGE DRIVER



10" / 254 mm
CHASSIS DIAMETER

600 W
PROGRAM POWER

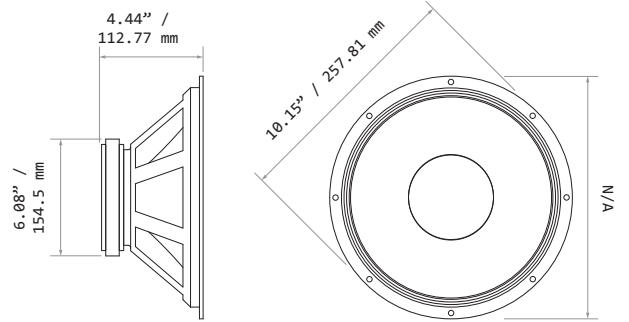
45 Hz - 5 kHz
FREQUENCY RESPONSE

2.5" / 63.5 mm
VOICE COIL

97.5 dB
SENSITIVITY (1W/ 1m)

5.5 mm Xmax
MAXIMUM LINEAR EXCURSION

- + Versatile in 2 way ported enclosures such as the classic bass driver plus horn tweeter or compression driver format.
- + Can be used effectively for bass guitar applications.
- + Exhibits smooth frequency response that gives a balanced tonal character when properly matched to appropriate high-frequency drivers.
- + Best suited for 15-40 Litre ported enclosure designs.
- + 2.5-Inch Inside/ outside windings copper voice coil.



GENERAL SPECIFICATIONS

Nominal Chassis Diameter	10" / 254 mm
Nominal Impedance ⁽¹⁾	8 Ohm
Minimum Impedance Zmin	6.8 Ω
AES Power Handling ⁽²⁾	300 W (A.E.S.)
Program Power	600 W
Peak Power (6dB Crest Factor)	1200 W
Frequency Range ⁽³⁾	45 Hz - 5 kHz
Sensitivity (1W/ 1m)	97.5 dB
Magnet Material	Ferrite
Magnet Weight	56 oz
Magnetic Gap Depth	0.39" / 10 mm
Flux Density	1 Tesla
Former Material	Glass Fibre
Voice Coil Material	Copper - Inside/ Outside
Coil Winding Height	0.70" / 18 mm
Voice Coil Diameter	2.5" / 63.5 mm
Cone/ Dust Dome Material	Curvilinear Paper / Paper
Surround / Edge Termination	Polyvinyl Damped Multi Roll. Poly Cotton

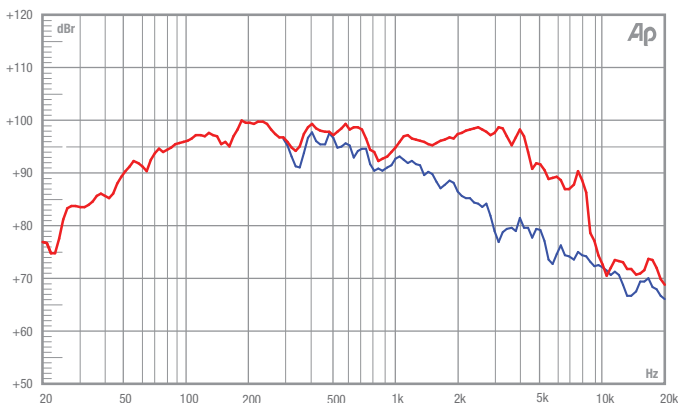
TECHNICAL & THIELE SMALL PARAMETERS

Fs	58 Hz
Re	5.7 Ω
Qms	6.08
Qes	0.33
Qts	0.313
Vas	41 Litres
Vd	0.208 Litres
Cms	0.211 mm/N
Bl	15.3 T/m
Mms	37 g
Xmax	5.5 mm
Sd	378 cm ²
Efficiency	2.36 %
Le (1k Hz)	1.68 mH
EBP	175.76 Hz
Effective Piston Diameter	8.46" / 214.88 mm
Rec. Enclosure Volume	0.88 - 1.76 ft ³ / 25 - 50 Litres

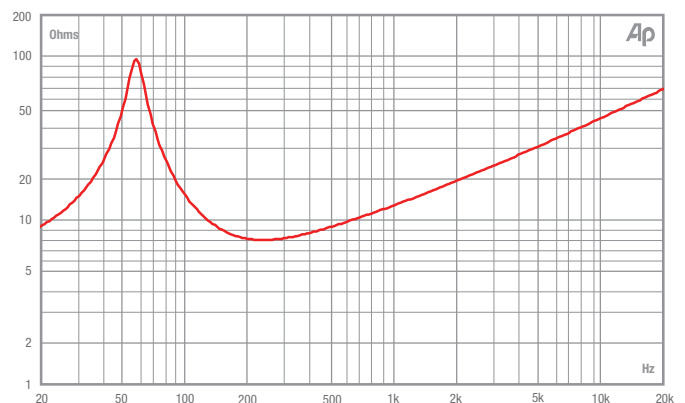
MOUNTING / SHIPPING INFORMATION

Overall Diameter	10.15" / 257.81 mm
Width Across Flats	N/A
Depth	4.44" / 112.77 mm
Flange Height	0.27" / 6.9 mm
Baffle Hole Diameter F/M	9.21" / 233.93 mm
Baffle Hole Diameter R/M	9.21" / 233.93 mm
Chassis Material	Pressed Steel
Gasket Supplied	Front & Rear
Outer Fixing Holes	4x ø 6.5 mm on 9.72" / 246.88 mm PCD
Inner Fixing Holes	N/A
Connectors ⁽⁴⁾	Solder Tag
Weight	10.57 lb / 4.8 Kg
Shipping Weight	10.57 lb / 4.8 Kg
Packing Carton Dimensions (mm)	(W) 275 (D) 275 (H) 150

FREQUENCY RESPONSE DATA⁽³⁾



IMPEDANCE



(1) Please enquire about alternative impedances.

(2) A.E.S. power handling test. Pink noise bandpass filtered at 12 dB per octave with cutoff frequencies of 45 Hz and 450 Hz. Driver mounted in free air, test signal applied at rated power for two hours.

(3) Half space response measured in a 975 Litre sealed box. Blue line = fundamental 45° off-axis. Please note that the frequency response measurements are supplied for comparison only and are not a measure of the low frequency performance which may be achieved in a fully optimised system.

(4) Positive voltage at red terminal causes forward motion of cone.