



FC-123F02

BASS-MID DRIVER

12" / 304.8 mm
CHASSIS DIAMETER

1100 W
PROGRAM POWER

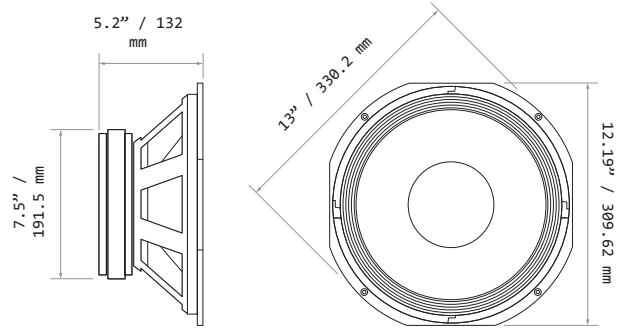
40 Hz - 4 kHz
FREQUENCY RESPONSE

3" / 76.2 mm
VOICE COIL

98 dB
SENSITIVITY (1W/ 1m)

8 mm Xmax
MAX. LINEAR EXCURSION

- + Versatile unit for bass applications or two-way ported enclosures of 25-80 Litres.
- + Optimised non-inductive motor system efficiently controls magnetic flux and reduces third-harmonic and intermodulation distortion.
- + Designed to provide warm tonal character with dynamic, smooth detailed bass reproduction.
- + Copper shorting ring provides extended frequency range up to 4 kHz.
- + 3-Inch Inside/ outside windings CCAW voice coil.



GENERAL SPECIFICATIONS

Nominal Chassis Diameter	12" / 304.8 mm
Nominal Impedance ⁽¹⁾	8 Ohm
Minimum Impedance Zmin	8.4 Ω
AES Power Handling ⁽²⁾	550 W (A.E.S.)
Program Power	1100 W
Peak Power (6dB Crest Factor)	2200 W
Frequency Range ⁽³⁾	40 Hz - 4 kHz
Sensitivity (1W/ 1m)	98 dB
Magnet Material	Ferrite
Magnet Weight	91.71 oz
Magnetic Gap Depth	0.35" / 9 mm
Flux Density	1.16 Tesla
Former Material	Glass Fibre
Voice Coil Material	CCAWE - Inside/ Outside
Coil Winding Height	0.75" / 19 mm
Voice Coil Diameter	3" / 76.2 mm
Cone/ Dust Dome Material	Paper / Paper
Surround / Edge Termination	Polyvinyl Damped Dbl. Half Roll Linen

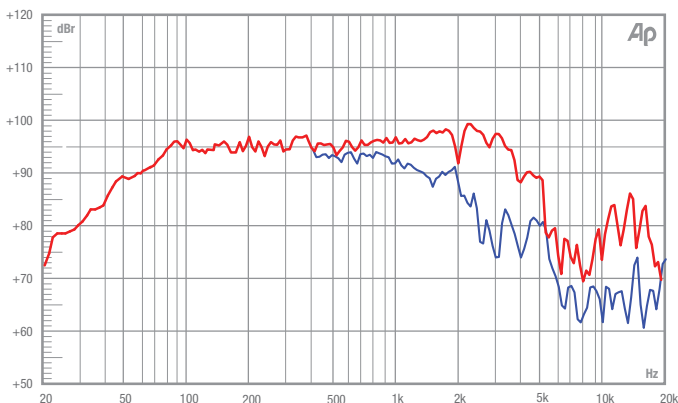
TECHNICAL & THIELE SMALL PARAMETERS

Fs	51 Hz
Re	5.6 Ω
Qms	5.1
Qes	0.365
Qts	0.341
Vas	76 Litres
Vd	0.42 Litres
Cms	0.191 mm/N
Bl	16 T/m
Mms	51 g
Xmax	8 mm
Sd	530 cm ²
Efficiency	2.7 %
Le (1k Hz)	1.17 mH
EBP	139.73 Hz
Effective Piston Diameter	10.31" / 261.87mm
Rec. Enclosure Volume	25 - 50 Litres

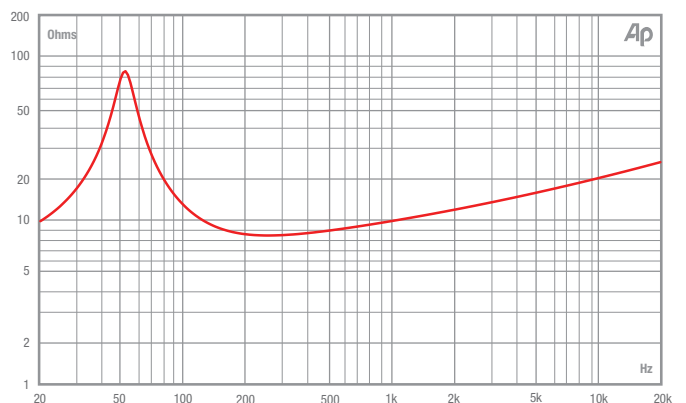
MOUNTING / SHIPPING INFORMATION

Overall Diameter	13" / 330.2 mm
Width Across Flats	12.19" / 309.62 mm
Depth	5.2" / 132 mm
Flange Height	0.305" / 7.8 mm
Baffle Hole Diameter F/M	11.03" / 280.16 mm
Baffle Hole Diameter R/M	10.13" / 257.30 mm
Chassis Material	Die-cast Aluminium
Gasket Supplied	Front & Rear
Outer Fixing Holes	4x ø 5.5 mm on 317.5 mm PCD
Inner Fixing Holes	N/A
Connectors ⁽⁴⁾	Push-button Spring Terminals
Weight	17.2 lb / 7.8 Kg
Shipping Weight	19.18 lb / 8.7 Kg
Packing Carton Dimensions (mm)	(W) 330 (D) 330 (H) 170

FREQUENCY RESPONSE DATA⁽³⁾



IMPEDANCE



(1) Please enquire about alternative impedances.

(2) A.E.S. power handling test. Pink noise bandpass filtered at 12 dB per octave with cutoff frequencies of 45 Hz and 450 Hz. Driver mounted in free air, test signal applied at rated power for two hours.

(3) Half space response measured in a 975 Litre sealed box. Blue line = fundamental 45° off-axis. Please note that the frequency response measurements are supplied for comparison only and are not a measure of the low frequency performance which may be achieved in a fully optimised system.

(4) Positive voltage at red terminal causes forward motion of cone.