



COLOSSUS PRIME 15XS

BASS DRIVER

15" / 381 mm

CHASSIS DIAMETER

2000 W

PROGRAM POWER

30 Hz - 500 Hz

FREQUENCY RESPONSE

4" / 101.6 mm

VOICE COIL

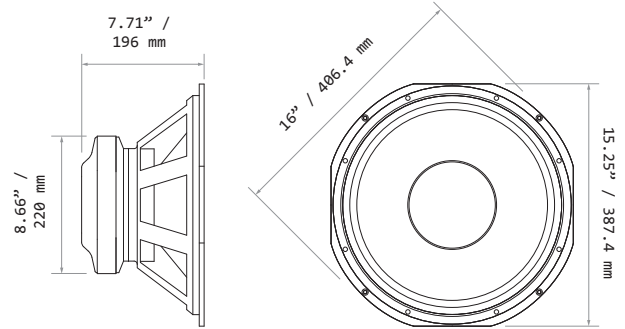
98 dB

SENSITIVITY (1W/ 1m)

12 mm Xmax

MAX. LINEAR EXCURSION

- + High grade Y35 ferrite magnet motor structure with Low interference flux path.
- + Vented chassis and motor design provides extremely low power compression.
- + Aluminium demodulation ring.
- + Dual silicone laminated suspension system combined with optimised software materials offers increased linearity for fast, accurate and undistorted bass reproduction at extreme SPL.
- + 12mm Xmax with 64 mm peak-to-peak travel.
- + Ideal for bass reflex and scoop designs from 125-400 Litres.
- + Also performs well in appropriately designed horn loaded systems.
- + 4-Inch Inside/ outside windings copper voice coil.



GENERAL SPECIFICATIONS

Nominal Chassis Diameter	15" / 381 mm
Nominal Impedance ⁽¹⁾	8 Ohm
Minimum Impedance Zmin	6.84 Ω
AES Power Handling ⁽²⁾	1000 W (A.E.S.)
Program Power	2000 W
Peak Power (6dB Crest Factor)	4000 W
Frequency Range ^(6dB)	30 Hz - 500 Hz
Sensitivity (1W/ 1m)	98 dB
Magnet Material	Ferrite Y35
Magnet Weight	145 oz
Magnetic Gap Depth	0.43" / 11 mm
Flux Density	1.1 Tesla
Former Material	Glass Fibre
Voice Coil Material	Copper - Inside/ Outside
Coil Winding Height	1.18" / 30 mm
Voice Coil Diameter	4" / 101.6 mm
Cone/ Dust Dome Material	Curvilinear Poly-cellulose / Solid Paper (Inverted)
Surround / Edge Termination	Polyvinyl Damped Multi Roll. Poly Cotton

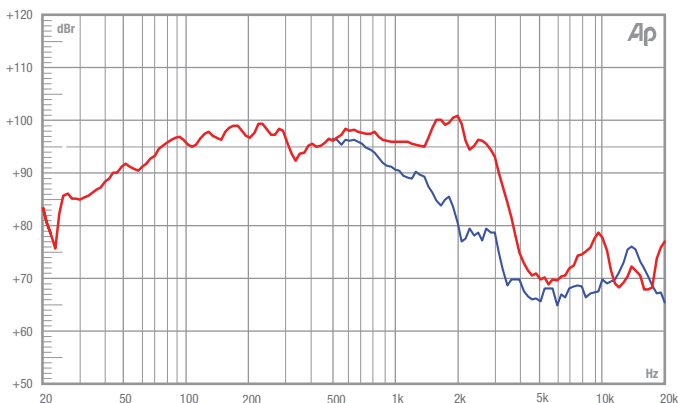
TECHNICAL & THIELE SMALL PARAMETERS

Fs	36.3 Hz
Re	5.2 Ω
Qms	7.7
Qes	0.32
Qts	0.31
Vas	149.7 Litres
Vd	1.01 Litres
Cms	0.147 mm/N
Bl	22.1 T/m
Mms	133 g
Xmax	12 mm
Sd	855 cm ²
Efficiency	2.14 %
Le (1k Hz)	1.93 mH
EBP	113.44 Hz
Effective Piston Diameter	15.43" / 391.92 mm
Rec. Enclosure Volume	2.47 - 4.41 ft ³ / 70 - 125 Litres

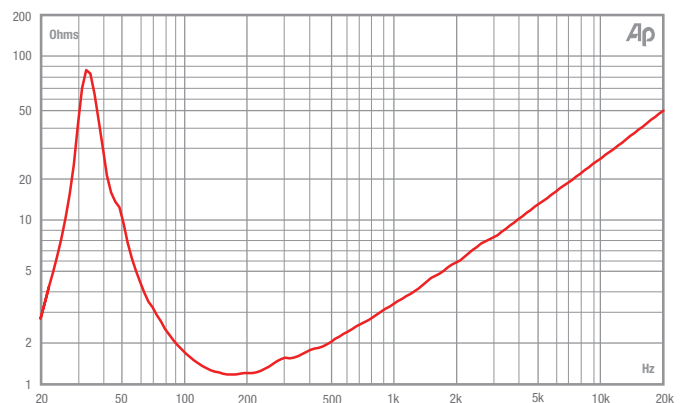
MOUNTING / SHIPPING INFORMATION

Overall Diameter	16" / 406.4 mm
Width Across Flats	15.25" / 387.4 mm
Depth	7.71" / 196 mm
Flange Height	0.305" / 7.8 mm
Baffle Hole Diameter F/M	13.85" / 351.79 mm
Baffle Hole Diameter R/M	14" / 355.6 mm
Chassis Material	Die-cast Aluminium
Gasket Supplied	Front & Rear
Outer Fixing Holes	4x ø 0.281" on 15.5" PCD / 4x ø 7.1 mm on 393.7 mm PCD
Inner Fixing Holes	8x ø 0.281" on 14.56" PCD / 8x ø 7.1 mm on 370 mm PCD
Connectors ⁽⁴⁾	Push-button Spring Terminals
Weight	28 lb / 12.7 Kg
Shipping Weight	30.45 lb / 13.8 Kg
Packing Carton Dimensions (mm)	(W) 430 (D) 430 (H) 230

FREQUENCY RESPONSE DATA⁽³⁾



IMPEDANCE



(1) Please enquire about alternative impedances.

(2) A.E.S. power handling test. Pink noise bandpass filtered at 12 dB per octave with cutoff frequencies of 30 Hz and 300 Hz. Driver mounted in free air, test signal applied at rated power for two hours.

(3) Half space response measured in a 975 Litre sealed box. Blue line = fundamental 45° off-axis. Please note that the frequency response measurements are supplied for comparison only and are not a measure of the low frequency performance which may be achieved in a fully optimised system.

(4) Positive voltage at red terminal causes forward motion of cone.