

COLOSSUS 18XBN

SUB BASS DRIVER



18" / 457.2 mm

CHASSIS DIAMETER

2000 W

PROGRAM POWER

35 Hz - 1 kHz

FREQUENCY RESPONSE

4" / 101.6 mm

VOICE COIL

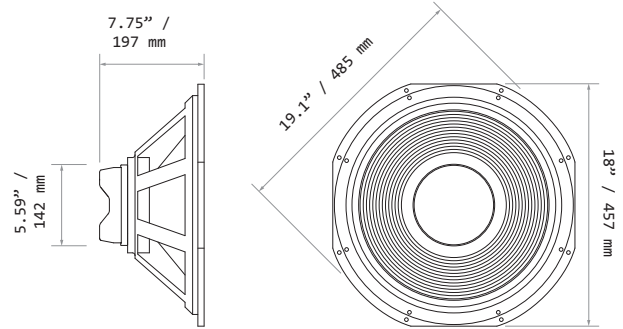
99 dB

SENSITIVITY (1W/ 1m)

7.5 mm Xmax

MAXIMUM LINEAR EXCURSION

- + Lightweight neodymium magnet motor assembly. Weighs only 7.95 kg.
- + Great replacement driver for most bass reflex applications.
- + Vented chassis and motor design provides efficient thermal management and extremely low power compression.
- + High BL factor, 25.9 T/m.
- + Dual 'spaced' suspension system and advanced materials offers ultra-linearity, mechanical stability and superior acoustic performance at high levels of excursion.
- + Ribbed, fibre loaded, UK manufactured cone offers increased strength, durability and resistance to deformation under extreme loads.
- + Designed for optimum use in 100-250 Litre ported enclosure designs.
- + 4-Inch Inside/ outside windings copper voice coil.



GENERAL SPECIFICATIONS

Nominal Chassis Diameter	18" / 457.2 mm
Nominal Impedance ⁽¹⁾	8 Ohm
Minimum Impedance Zmin	7.9 Ω
AES Power Handling ⁽²⁾	1000 W (A.E.S.)
Program Power	2000 W
Peak Power (6dB Crest Factor)	4000 W
Frequency Range ⁽³⁾	35 Hz - 1 kHz
Sensitivity (1W/ 1m)	99 dB
Magnet Material	Neodymium
Magnet Weight	- oz
Magnetic Gap Depth	0.39" / 10 mm
Flux Density	1.2 Tesla
Former Material	Glass Fibre
Voice Coil Material	Copper - Inside/ Outside
Coil Winding Height	0.90" / 23 mm
Voice Coil Diameter	4" / 101.6 mm
Cone/ Dust Dome Material	Straight Poly-cellulose Ribbed / Paper
Surround / Edge Termination	Polyvinyl Damped Multi Roll. Poly Cotton

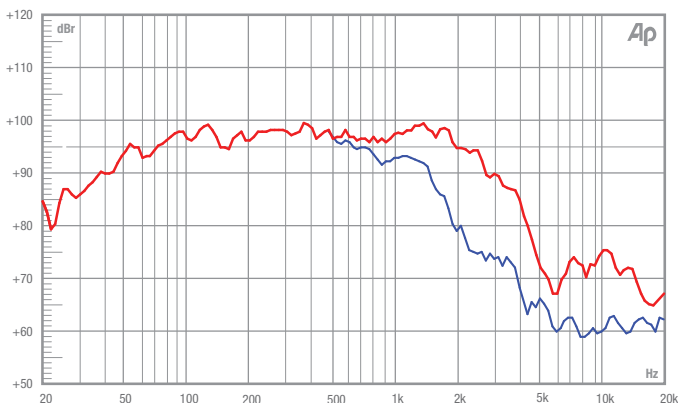
TECHNICAL & THIELE SMALL PARAMETERS

Fs	33 Hz
Re	6.2 Ω
Qms	5.77
Qes	0.358
Qts	0.337
Vas	236 Litres
Vd	0.803 Litres
Cms	0.13 mm/N
Bl	25.9 T/m
Mms	173 g
Xmax	7.5 mm
Sd	1131 cm ²
Efficiency	2.3 %
Le (1k Hz)	1.99 mH
EBP	92.18 Hz
Effective Piston Diameter	15.03" / 381.76 mm
Rec. Enclosure Volume	3.53 - 8.82 ft ³ / 100 - 250 Litres

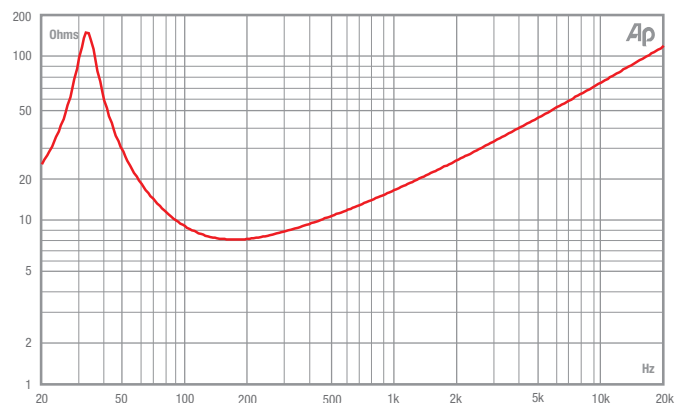
MOUNTING / SHIPPING INFORMATION

Overall Diameter	19.1" / 485 mm
Width Across Flats	18" / 457 mm
Depth	7.75" / 197 mm
Flange Height	0.465" / 11.8 mm
Baffle Hole Diameter F/M	16.53" / 419.86 mm
Baffle Hole Diameter R/M	16.33" / 414.78 mm
Chassis Material	Die-cast Aluminium
Gasket Supplied	Front & Rear
Outer Fixing Holes	8x ø 0.275" on 18.425" PCD / 8x ø 7 mm on 468 mm PCD
Inner Fixing Holes	8x ø 0.275" on 17.25" PCD / 8x ø 7 mm on 438.15 mm PCD
Connectors ⁽⁴⁾	Push-button Spring Terminals
Weight	17.52 lb / 7.95 Kg
Shipping Weight	21.05 lb / 9.55 Kg
Packing Carton Dimensions (mm)	(W) 485 (D) 485 (H) 230

FREQUENCY RESPONSE DATA⁽³⁾



IMPEDANCE



(1) Please enquire about alternative impedances.

(2) A.E.S. power handling test. Pink noise bandpass filtered at 12 dB per octave with cutoff frequencies of 30 Hz and 300 Hz. Driver mounted in free air, test signal applied at rated power for two hours.

(3) Half space response measured in a 975 Litre sealed box. Blue line = fundamental 45° off-axis. Please note that the frequency response measurements are supplied for comparison only and are not a measure of the low frequency performance which may be achieved in a fully optimised system.

(4) Positive voltage at red terminal causes forward motion of cone.