

COLOSSUS 18SB

SUB BASS DRIVER



18" / 457.2 mm
CHASSIS DIAMETER

2000 W
PROGRAM POWER

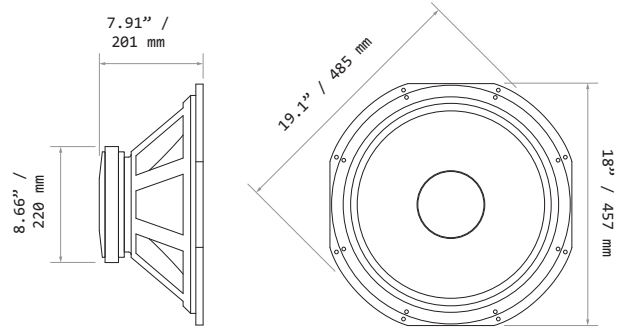
35 Hz - 2.5 kHz
FREQUENCY RESPONSE

4" / 101.6 mm
VOICE COIL

100 dB
SENSITIVITY (1W/1m)

8.25 mm Xmax
MAX. LINEAR EXCURSION

- + Chassis and motor system venting provides efficient thermal management and extremely low power compression.
- + Dual silicone laminated suspension system combined with optimised software materials offers increased linearity for tight, punchy bass reproduction at extreme SPL.
- + Fibre loaded, UK manufactured cone offering increased strength, durability and performance.
- + Optimised for ported enclosures, delivering bass down to 35 Hz in a 200 Litre enclosure.
- + 4-Inch Inside/ outside windings copper voice coil.



GENERAL SPECIFICATIONS

Nominal Chassis Diameter	18" / 457.2 mm
Nominal Impedance ⁽¹⁾	8 Ohm
Minimum Impedance Zmin	6.5 Ω
AES Power Handling ⁽²⁾	1000 W (A.E.S.)
Program Power	2000 W
Peak Power (6dB Crest Factor)	4000 W
Frequency Range ^(6dB)	35 Hz - 2.5 kHz
Sensitivity (1W/1m)	100 dB
Magnet Material	Ferrite
Magnet Weight	120 oz
Magnetic Gap Depth	0.43" / 11 mm
Flux Density	1.1 Tesla
Former Material	Glass Fibre
Voice Coil Material	Copper - Inside/ Outside
Coil Winding Height	0.87" / 22 mm
Voice Coil Diameter	4" / 101.6 mm
Cone/ Dust Dome Material	Curvilinear Poly-cellulose / Solid Paper
Surround / Edge Termination	Polyvinyl Damped Multi Roll. Poly Cotton

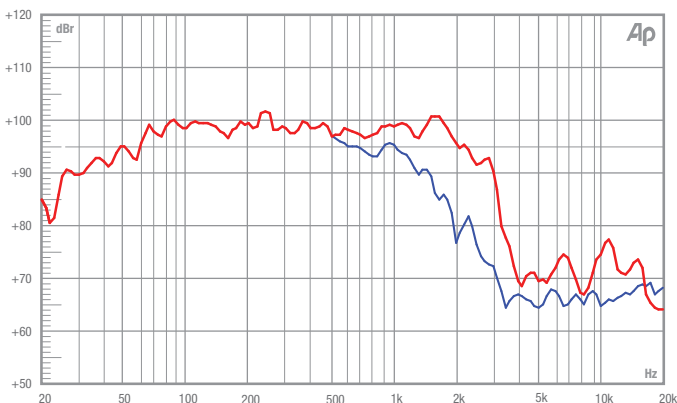
TECHNICAL & THIELE SMALL PARAMETERS

Fs	36 Hz
Re	5.2 Ω
Qms	6.583
Qes	0.366
Qts	0.346
Vas	199 Litres
Vd	0.893 Litres
Cms	0.109 mm/N
Bl	24 T/m
Mms	177.2 g
Xmax	8.25 mm
Sd	1134 cm ²
Efficiency	2.49 %
Le (1k Hz)	2.23 mH
EBP	98.36 Hz
Effective Piston Diameter	14.84" / 376.93 mm
Rec. Enclosure Volume	4.41 - 14.12 ft ³ / 125 - 400 Litres

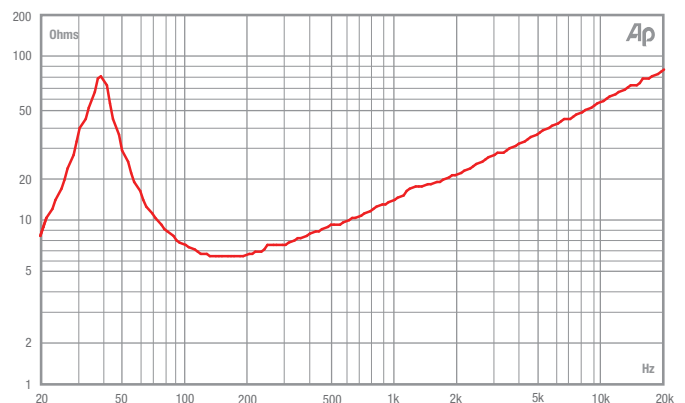
MOUNTING / SHIPPING INFORMATION

Overall Diameter	19.1" / 485 mm
Width Across Flats	18" / 457 mm
Depth	7.91" / 201 mm
Flange Height	0.465" / 11.8 mm
Baffle Hole Diameter F/M	16.53" / 419.86 mm
Baffle Hole Diameter R/M	16.33" / 414.78 mm
Chassis Material	Die-cast Aluminium
Gasket Supplied	Front & Rear
Outer Fixing Holes	8x ø 0.275" on 18.425" PCD / 8x ø 7 mm on 468 mm PCD
Inner Fixing Holes	8x ø 0.275" on 17.25" PCD / 8x ø 7 mm on 438.15 mm PCD
Connectors ⁽⁴⁾	Push-button Spring Terminals
Weight	27.6 lb / 12.51 Kg
Shipping Weight	28.9 lb / 13.1 Kg
Packing Carton Dimensions (mm)	(W) 485 (D) 485 (H) 230

FREQUENCY RESPONSE DATA⁽³⁾



IMPEDANCE



(1) Please enquire about alternative impedances.

(2) A.E.S. power handling test. Pink noise bandpass filtered at 12 dB per octave with cutoff frequencies of 30 Hz and 300 Hz. Driver mounted in free air, test signal applied at rated power for two hours.

(3) Half space response measured in a 975 Litre sealed box. Blue line = fundamental 45° off-axis. Please note that the frequency response measurements are supplied for comparison only and are not a measure of the low frequency performance which may be achieved in a fully optimised system.

(4) Positive voltage at red terminal causes forward motion of cone.