

COLOSSUS 15 -750BMN

BASS / BASS-MID DRIVER



15" / 381 mm

CHASSIS DIAMETER

1500 W

PROGRAM POWER

40 Hz - 3 kHz

FREQUENCY RESPONSE

4" / 101.6 mm

VOICE COIL

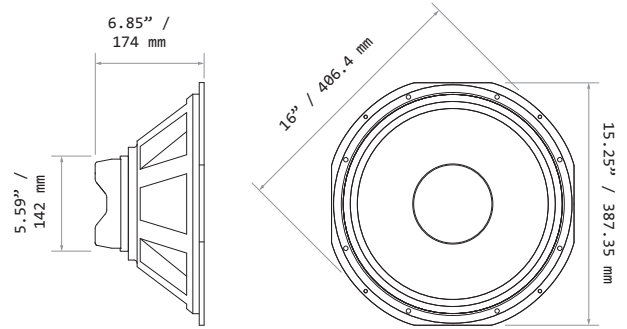
100 dB

SENSITIVITY (1W/ 1m)

7.5 mm Xmax

MAXIMUM LINEAR EXCURSION

- + Lightweight neodymium magnet assembly. Weighs only 6.8 Kg.
- + FEA optimised magnet assembly with high force factor and excursion capability.
- + Vented chassis and motor design provides efficient thermal management and low power compression.
- + Fibre loaded, UK manufactured cone offers increased strength, durability and performance required for tight, accurate bass.
- + Intended for use as a high-output bass, or bass-mid driver, in ported multi-way systems of 70-125 Litres.
- + 4-Inch Inside/outside windings copper voice coil.



GENERAL SPECIFICATIONS

Nominal Chassis Diameter	15" / 381 mm
Nominal Impedance ⁽¹⁾	8 Ohm
Minimum Impedance Zmin	7.5 Ω
AES Power Handling ⁽²⁾	750 W (A.E.S.)
Program Power	1500 W
Peak Power (6dB Crest Factor)	3000 W
Frequency Range ^(6dB)	40 Hz - 3 kHz
Sensitivity (1W/ 1m)	100 dB
Magnet Material	Neodymium
Magnet Weight	- oz
Magnetic Gap Depth	0.43" / 11 mm
Flux Density	1.1 Tesla
Former Material	Glass Fibre
Voice Coil Material	Copper - Inside/ Outside
Coil Winding Height	0.75" / 22 mm
Voice Coil Diameter	4" / 101.6 mm
Cone/ Dust Dome Material	Curvilinear Poly-cellulose / Solid Paper
Surround / Edge Termination	Polyvinyl Damped Dbl. Half Roll Poly Cotton

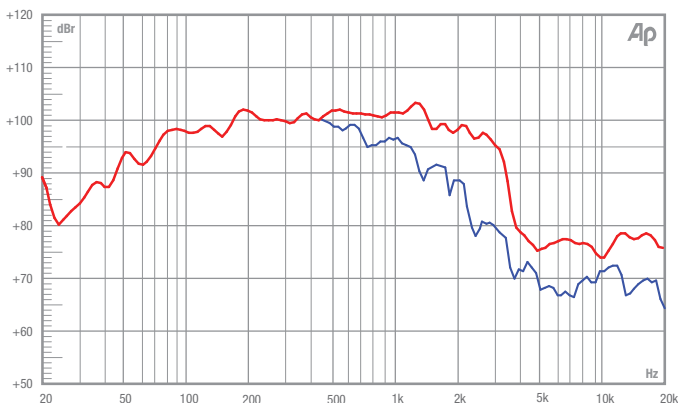
TECHNICAL & THIELE SMALL PARAMETERS

Fs	45 Hz
Re	5.5 Ω
Qms	3.97
Qes	0.29
Qts	0.27
Vas	127 Litres
Vd	0.65 Litres
Cms	0.119 mm/N
Bl	24.5 T/m
Mms	109 g
Xmax	7.5 mm
Sd	866 cm ²
Efficiency	3.8 %
Le (1k Hz)	1.69 mH
EBP	155.17 Hz
Effective Piston Diameter	13.03" / 331 mm
Rec. Enclosure Volume	2.47 - 4.41 ft ³ / 70 - 125 Litres

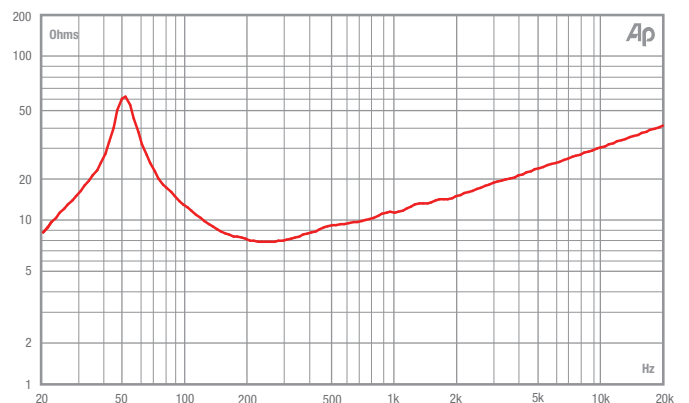
MOUNTING / SHIPPING INFORMATION

Overall Diameter	16" / 406.4 mm
Width Across Flats	15.25" / 387.35 mm
Depth	6.85" / 174 mm
Flange Height	0.305" / 7.8 mm
Baffle Hole Diameter F/M	13.85" / 351.79 mm
Baffle Hole Diameter R/M	14" / 355.6 mm
Chassis Material	Die-cast Aluminium
Gasket Supplied	Front & Rear
Outer Fixing Holes	4x ø 0.281" on 15.5" PCD / 4x ø 7.1 mm on 393.7 mm PCD
Inner Fixing Holes	8x ø 0.281" on 14.56" PCD / 8x ø 7.1 mm on 370 mm PCD
Connectors ⁽⁴⁾	Push-button Spring Terminals
Weight	14.99 lb / 6.80 Kg
Shipping Weight	17.41 lb / 7.90 Kg
Packing Carton Dimensions (mm)	(W) 410 (D) 410 (H) 210

FREQUENCY RESPONSE DATA⁽³⁾



IMPEDANCE



(1) Please enquire about alternative impedances.

(2) A.E.S. power handling test. Pink noise bandpass filtered at 12 dB per octave with cutoff frequencies of 40 Hz and 400 Hz. Driver mounted in free air, test signal applied at rated power for two hours.

(3) Half space response measured in a 975 Litre sealed box. Blue line = fundamental 45° off-axis. Please note that the frequency response measurements are supplied for comparison only and are not a measure of the low frequency performance which may be achieved in a fully optimised system.

(4) Positive voltage at red terminal causes forward motion of cone.