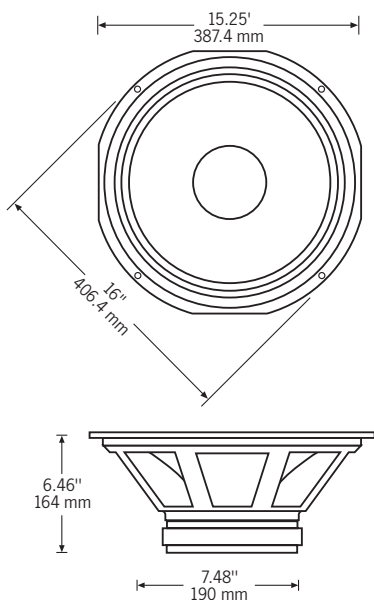


The Crescendo mid bass drivers are intended for use in two way ported enclosures such as the classic bass driver plus horn tweeter or compression driver format. All feature die cast chassis with long throw motor systems and high linearity suspensions allowing solid bass reproduction at high power levels. The drivers exhibit smooth frequency

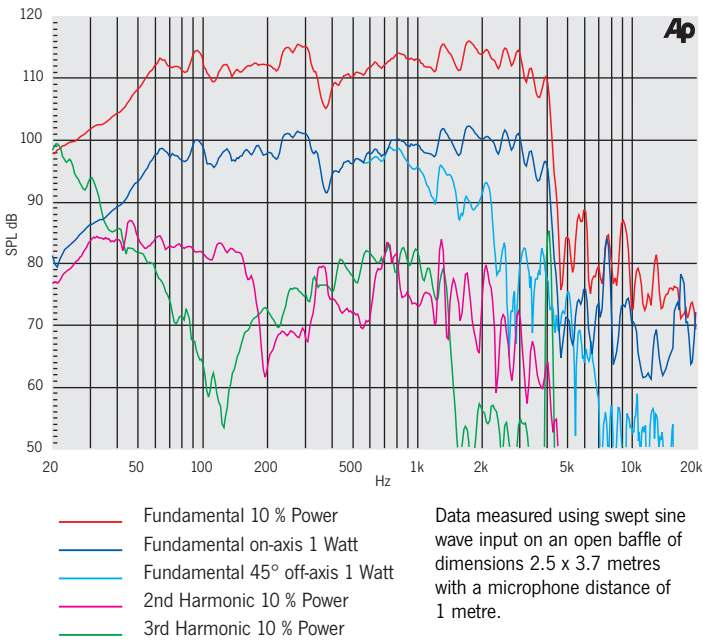
responses to give a balanced tonal characteristic when properly matched to appropriate high frequency drivers. The 15MB is designed for use in 70 to 125 litre ported enclosures and features a 2.5 inch voice coil, 300 Watt power handling and 99 dB sensitivity.



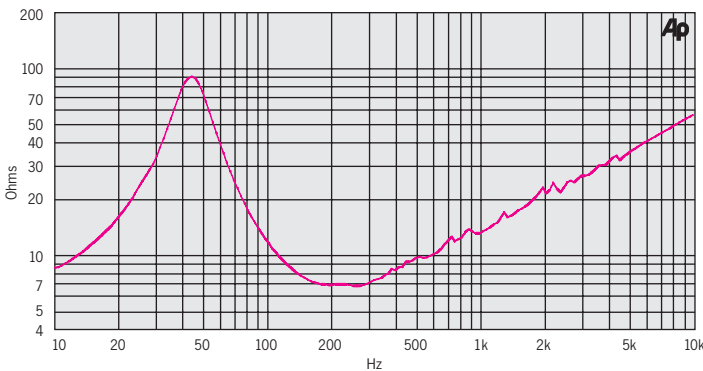
Mounting information

Overall Diameter	16 inch/406.4 mm
Width Across Flats	15.25 inch/387.4 mm
Flange Thickness	0.305 inch/7.8 mm
Baffle Hole Diameter, Front Mount	13.85 inch/352 mm
Gasket Supplied	Rear
Fixing Holes	4 x 0.28 inch diam on 15.5 PCD
	4 x 7.1 mm diam on 393.7 PCD
Depth	6.26 inch/159 mm
Weight	18.1 lb/8.2 kg
Recommended Enclosure Volume	2.47-4.41 cu ft/70-125 litres
Volume Displaced by Driver	0.166 cu ft/4.7 litres
Shipping Weight	20.7 lb/9.4 kg
Packing Carton Dimensions	415 x 415 x 250 mm

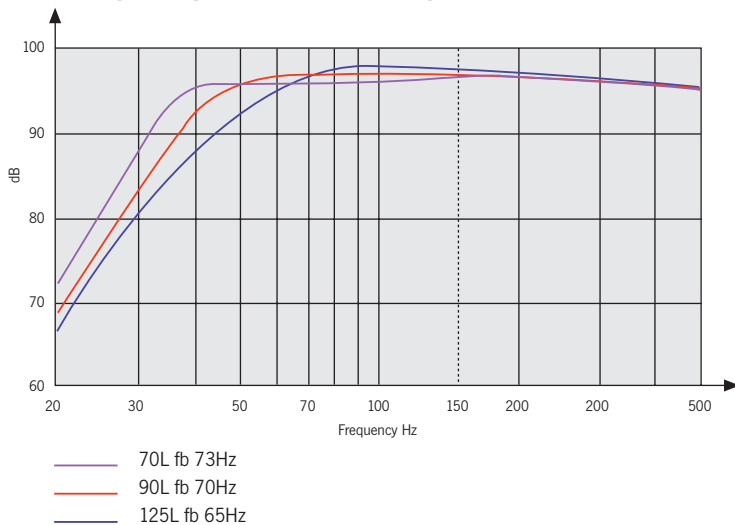
Frequency response data



Impedance



Computer predicted bass response



Electro mechanical specifications

Nominal Chassis Diameter	15 inch/381 mm
Impedance	8 Ω
Power Handling	300 (A.E.S.) ¹
Maximum Output Continuous/Peak	120/126 dB
Power Compression at Rated Power	4 dB
Usable Frequency Range (-6 dB)	45 Hz-3 kHz
Average Sensitivity (in above range) 1W/1m	99 dB
Resonance	42 Hz
Moving Mass inc. Air Load	82 grams
BL Product (Newtons/amp)	22.4
Minimum Impedance (Zmin)	7 Ω
Effective Piston Diameter	12.76 inch/324 mm
Flux Density	1.34 Tesla
Magnetic Gap Depth	0.39 inch/10 mm
Coil Winding Height	0.65 inch/16.6 mm
Voice Coil Length	63 feet/19.2 m
Magnet Weight	93 oz/2.65 kg
Maximum Cone Displacement	0.55 inch/14 mm
Peak Displacement Volume of Cone, Vd	0.540 litres
Voice Coil Diameter	2.5 inch/63.7 mm

Construction materials

Coil Former	Fibreglass
Voice Coil Material	Copper
Magnet	Ferrite
Chassis	Die Cast Aluminium
Cone	Curvilinear Paper
Surround/Edge Termination	Polyvinyl Damped Double Half Roll Linen
Dust Dome	Solid Paper
Connectors	Push Button Spring Terminals
Polarity	Positive voltage at red terminal causes forward motion of cone

Thiele-Small parameters

Resonant Frequency fs	42 Hz
D.C Resistance Re	5.6 Ω
Qts	0.23
Qes	0.242
Qms	4.51
Mms (grams)	82
Cms (microns per Newton)	175
BL Product	22.4 Tesla metres
Vas	167 litres
Reference Efficiency ηo	4.92 %
Piston Area Sd	0.082 m ²
Xmax	3.3 mm

¹ A.E.S. power handling test. Pink noise bandpass filtered at 12 dB per octave with cutoff frequencies of 30 Hz and 300 Hz. Driver mounted in free air, test signal applied at rated power for two hours.